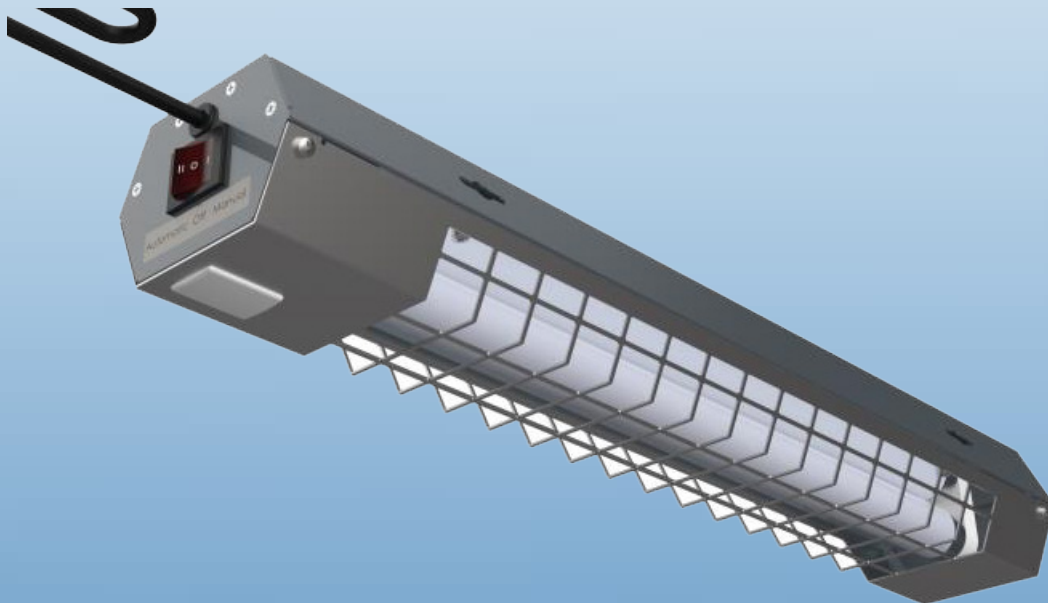


SMS

SMS UVcare

UV sterilizing fixture with high-frequency microwave sensor



SMART

High-Frequency
microwave
sensor

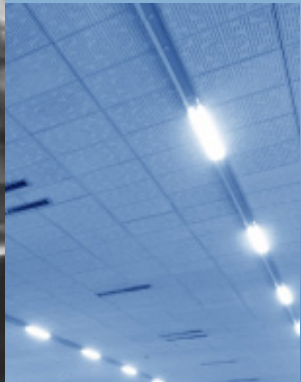
SAFE

Delayed
Start

COMPACT

Ideal for
rooms up to
16m²

STAY SAFE



SMS
- LED LIGHTING -

SMS UVcare ultraviolet surface sterilization device adopts PHILIPS TUV T8 ultraviolet light source, using efficiently and stably output at 253.7 nm rays, rapid sterilization, no ozone generation, multiple safety protection. SMS UVcare offers air and surfaces sterilization for any type of environment in a safe way, without heat, without using liquids. SMS UVcare has double mode control, manual and automatic, and motion sensor adopts reliable Free ISM band 5.8ghz microwave, active detection.

PHILIPS TUV T8 lamp UVC offers constant UV output over its complete lifetime, for maximum security of disinfection and high system efficacy. All surface and suspension mounting methods can fit different applications.

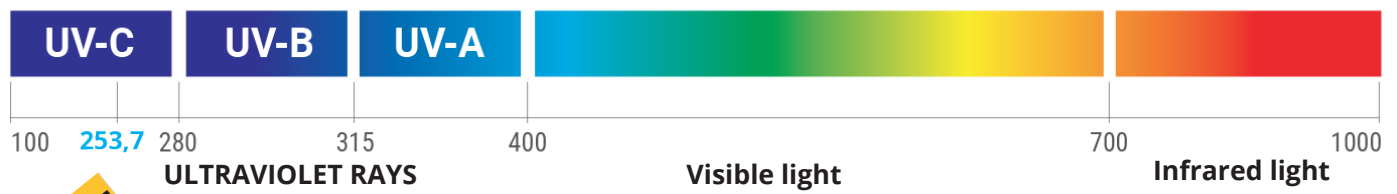
Fixture components are manufactured using anti-UV material, aging resistance.

EFFICIENCY

- WAVELENGTH UV-C RAYS 253,7 NM
- STERILIZZAZIONE OF AIR AND SURFACE
- AUTOMATIC AND MANUAL ON/OFF
- HIGH-FREQUENCY MICROWAVE SENSOR

SAFETY

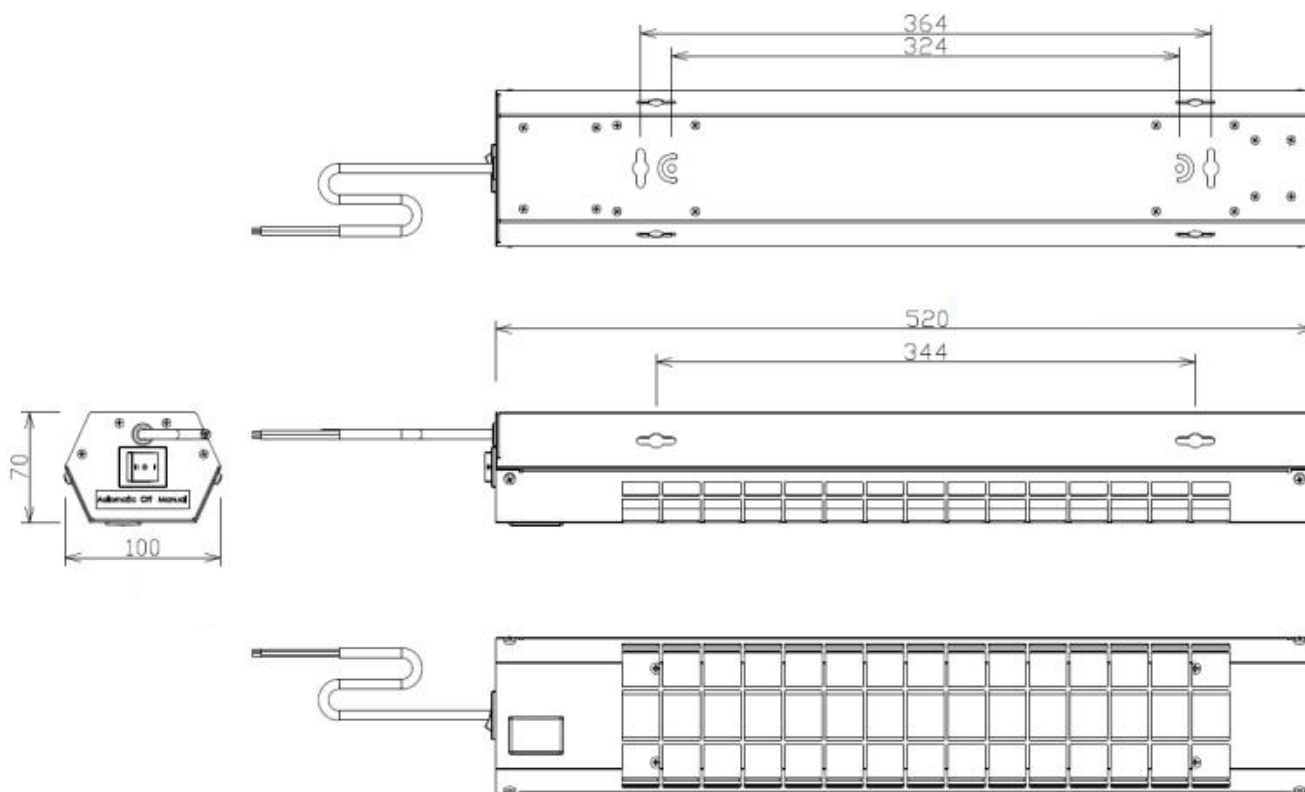
- PHILIPS TUV T8 UV-C (OZONE FREE)
- NO HEAT, NO USING LIQUID
- THE INTEGRATED HF SENSOR SWITCHES THE LAMP OFF AS SOON AS A PRESENCE IS DETECTED.
- COMPLIANT WITH EN 60335-1, EN 62233, EN 62471



THE ULTRAVIOLET GERMICIDAL LAMP EMITS UV-C SHORT-WAVE ULTRAVIOLET RAYS.

IRRADIATION OF MICROORGANISMS SUCH AS BACTERIA AND VIRUSES BY ULTRAVIOLET RAYS DESTROYS THE MOLECULAR STRUCTURE OF DNA (DEOXYRIBONUCLEIC ACID) OR RNA (RIBONUCLEIC ACID) IN THE CELLS OF MICROORGANISMS, CAUSING DNA STRAND BREAKS, CROSS-LINKING AND BREAKING OF NUCLEIC ACIDS AND PROTEINS, RESULTING IN GROWING CELLS DEATH AND REGENERATIVE CELL DEATH, TO ACHIEVE THE EFFECT OF STERILIZATION AND DISINFECTION.

DIMENSION:



WIDTH (mm)	HEIGHT (mm)	DEPTH (mm)	WEIGHT (kg)
520	70	100	2

DEVICE / CODE
SMS UV ^{care} / SMS-UVCARE

SMS S.R.L. (Gruppo SASSI HOLDING)

 **E-mail:** sms@sms.bo.it •
  **Website:** www.sms-lift.com •
  **Tel:** +39 051 969037 •
  **Address:** Via Guido Rossa 46-48-50 Loc. Crespellano 40053 Valsamoggia - Bologna - Italy

 **E-mail Technical Assistance:** assistenzatecnica@sms.bo.it •
  **Tel. Technical Assistance:** +39 051 6720710